

GANYMEDE™

BENEFITS

- Easy-to-use, Bluetooth evaluation kit for USB cable replacement applications
- Plug & use operation via embedded SPP, HCRP or OPP based applications
- Ideal platform for testing environments, interoperability and system validation via Host Controller Interface (HCI)

OVERVIEW

Ganymede is a Bluetooth evaluation kit for USB cable replacement, based on the BIC2102 Bluetooth application processor. The Ganymede includes a USB-Host interface unit and a Bluetooth air interface, to support a wide range of USB cable replacement applications. Ganymede provides users with an easy-to-use Bluetooth device for evaluation, demonstration, and hands-on experience with Bluetooth wireless connectivity to USB PC-accessories. It also includes a fully embedded cable replacement application, requiring no external host for operation.

APPLICATIONS

Ganymede is designed to enable evaluation of the Bluetooth capabilities for the following applications:

- USB cable replacement between PC and Peripherals
- USB Bluetooth Printer Adapter
- External Adapter to a Digital Still Camera
- Mass-storage devices

FEATURES

- Compact package size (25 x 45 mm)
- Bluetooth system implementation with the BIC2102 application processor
- Full speed USB Host interface at 12 Mbps
- 5V external power supply via pin 1 of the USB Host connector
- RF transceiver and antenna
- Reset button

BLUETOOTH CHARACTERISTICS

- Compliant to Bluetooth specifications 1.1
- Point-to-point and point-to-multipoint connections (up to 7 slaves in a piconet)
- Host Controller Interface (HCI) over USB
- Cable replacement application based on SPP
- Printer cable replacement application based on HCRP, SPP and OPP
- Includes Bluetooth Class 2 Radio

KIT CONTENTS

Hardware

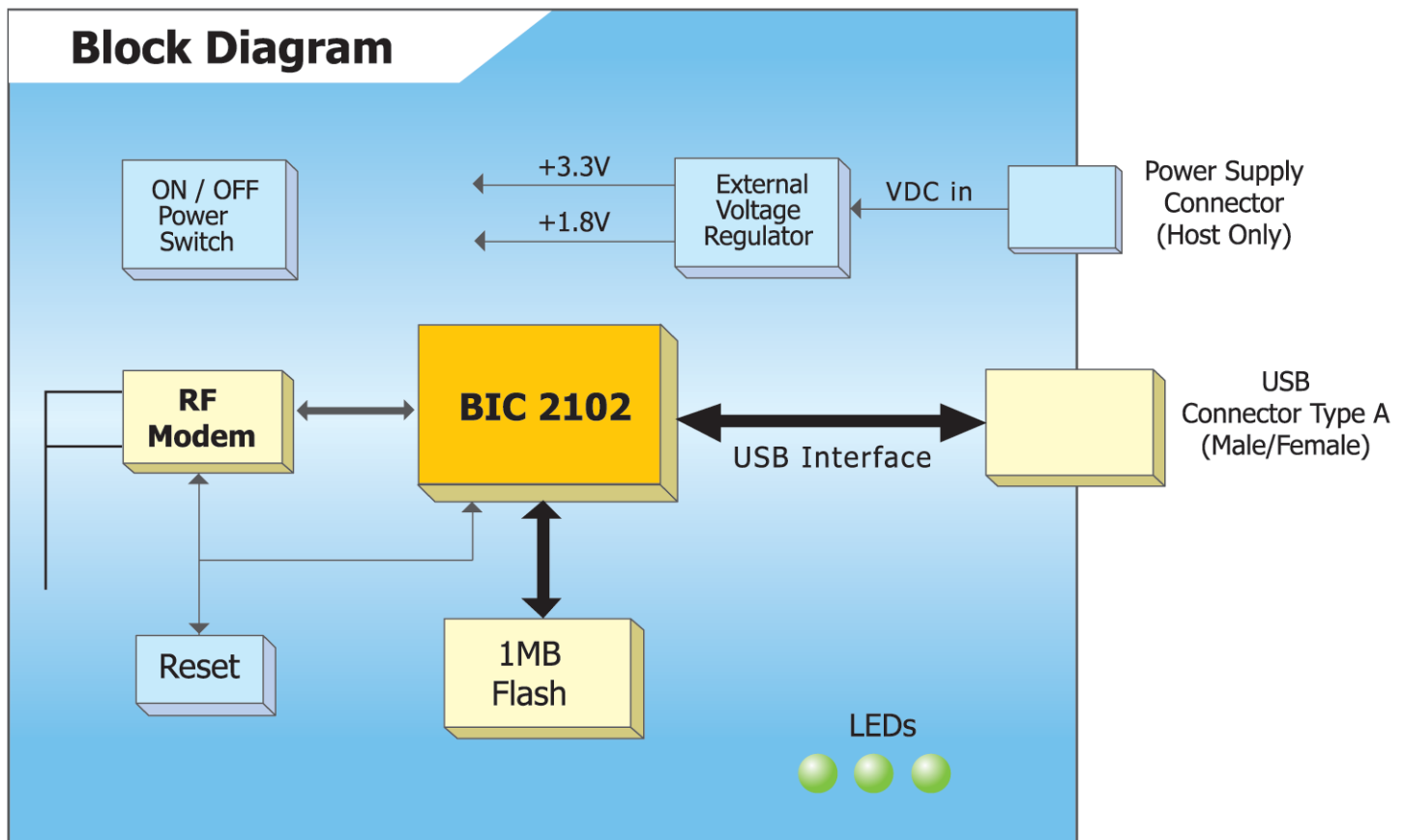
- Ganymede-host board
- Power supply adaptor 100-240 VDC to 5VDC
- USB cable
- JTAG cable

Software CD-ROM

- HEX file of the Bluetooth software
- PC application for Flash programming via JTAG for software updates and system configuration

Documentation

- Ganymede User Manual



For more information, please visit our website at www.flextronics.com/wireless or contact us at Bluetooth@flextronics.com

Flextronics is an associate member of the US-based Bluetooth Special Interest Group (SIG).