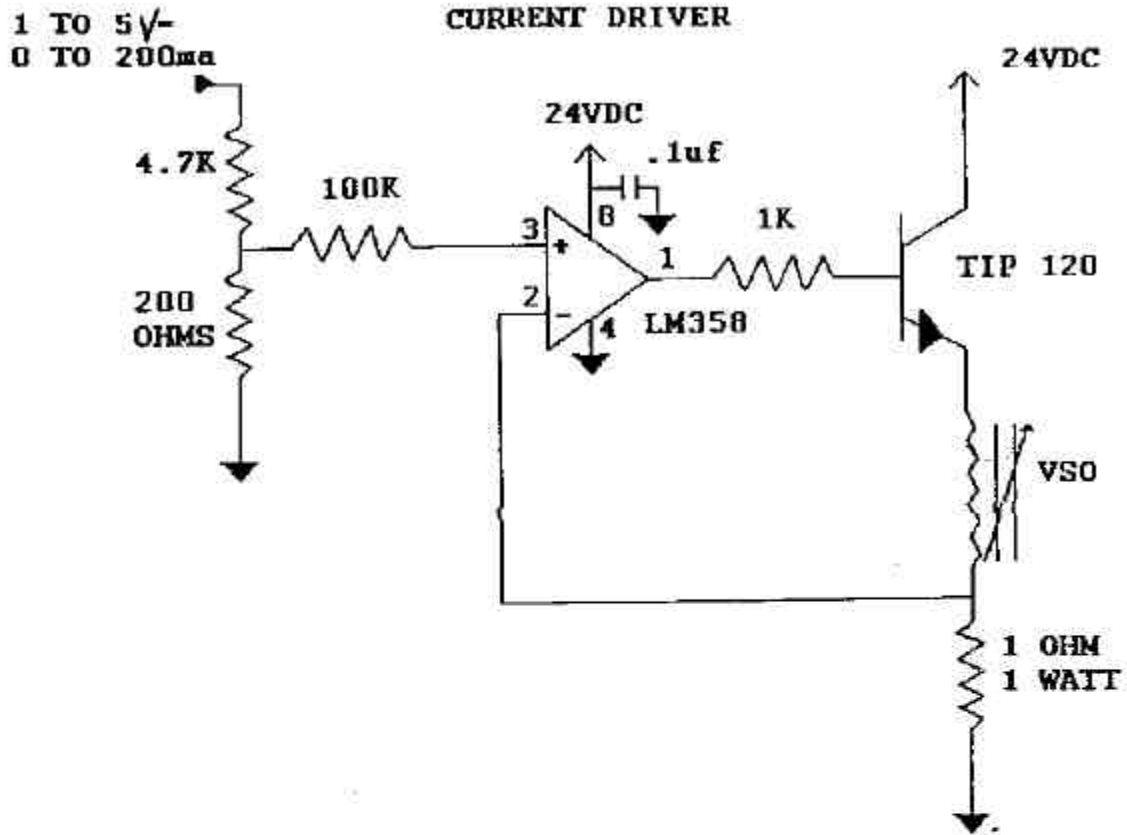


CURRENT DRIVER



VSO VALVE

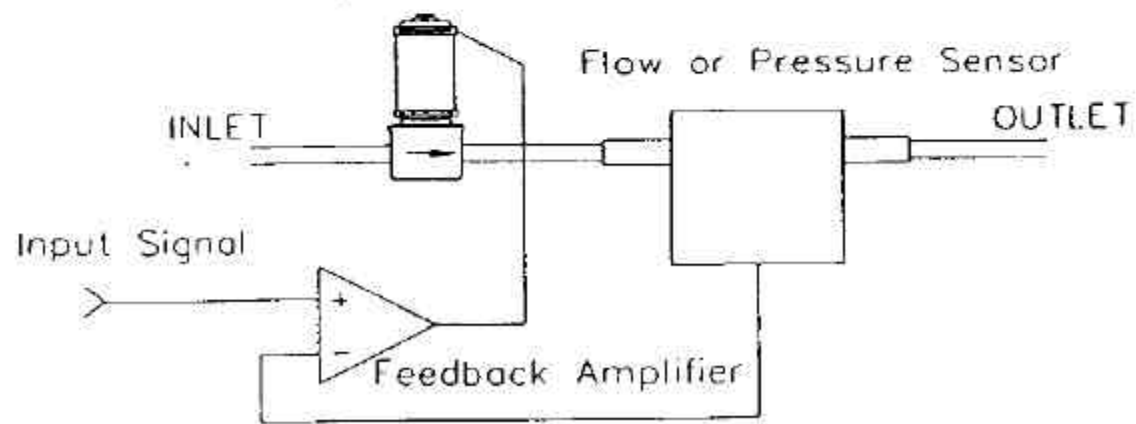


Fig. 2